

Isometric Stacks

Leon Rische

[2019-07-22 Mon 20:58]

Contents

1 Iteration 1	1
2 Iteration 2, Thickness	1
3 Iteration 3, Symmetry	2
4 Iteration 4, Symmetry & Copies Intersecting stacks of isometric blocks.	6

1 Iteration 1

[width=.9]images/iso_stacks/1₁

[width=.9]images/iso_stacks/1₂

[width=.9]images/iso_stacks/1₃

[width=.9]images/iso_stacks/1₄

[width=.9]images/iso_stacks/1₅

[width=.9]images/iso_stacks/1₆

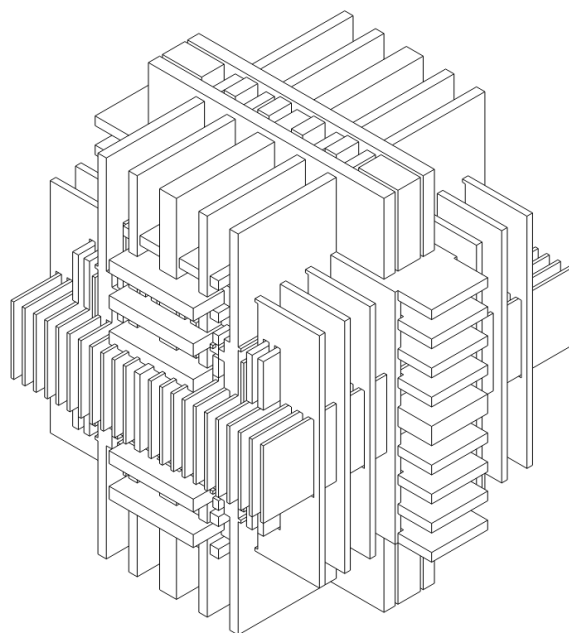
2 Iteration 2, Thickness

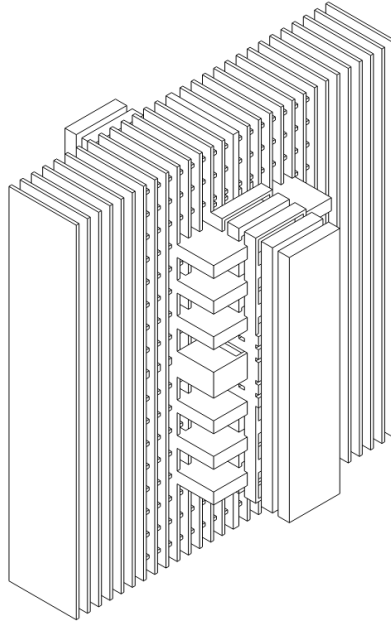
[width=.9]images/iso_stacks/2₁

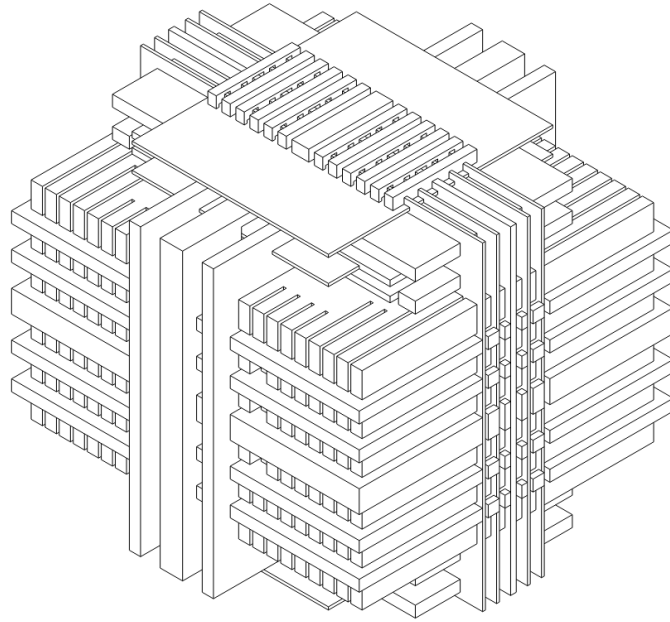
[width=.9]images/iso_stacks/2₂

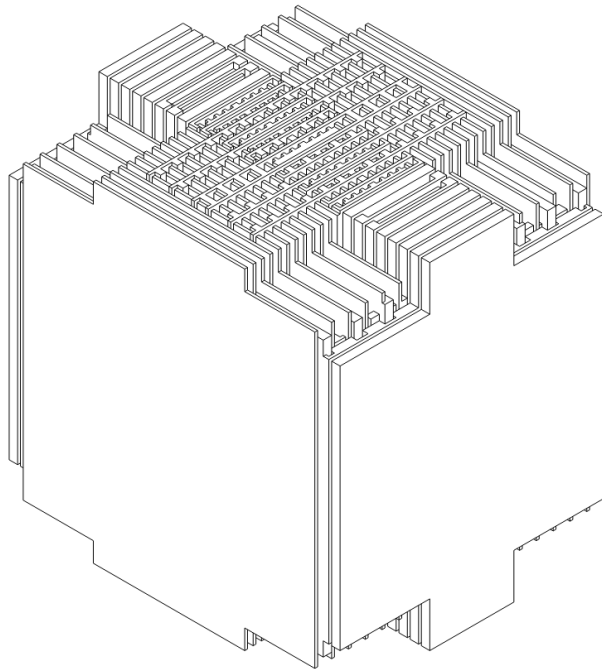
[width=.9]images/iso_stacks/2₃

3 Iteration 3, Symmetry









4 Iteration 4, Symmetry & Copies

